

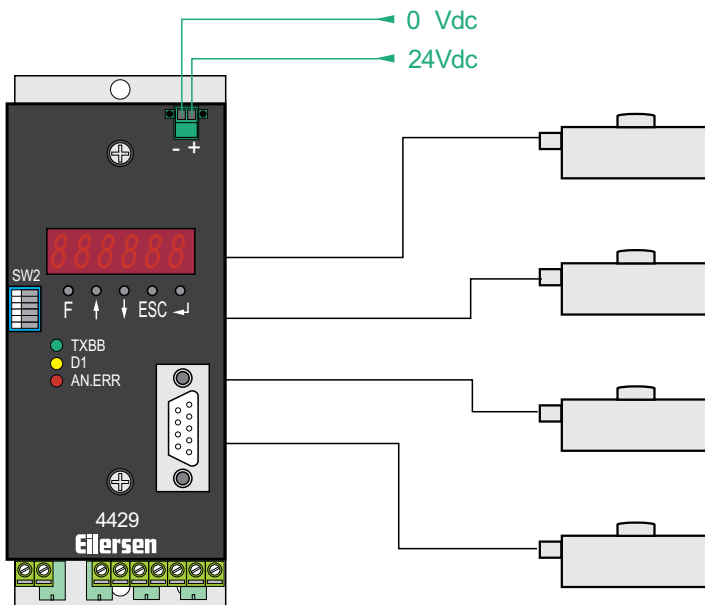
Analog Weighing Module - Type 4X29



4-20mA/0-10Vdc Module

Special Features

- Analog 4-20mA or 0-10Vdc output
- Digital RS485 serial communication
- Six character LED display
- 2 digital inputs + 2 digital outputs
- Weighing module for up to 4 digital load cells
- Shows the weight on each of the connected load cells
- Shows the summed weight for the connected load cells
- Configurable measuring time (40ms -> 4sec)
- 3 different FIR filters selectable by dip switches
- Plug-and-play installation with Eilersen digital load cells
- Input for zero and tare
- A "Digital Junction Box" that can be mounted near the load cells or in a central panel
- Application specific software can be made by request



4-20-mA
0-10Vdc
RS485

Inputs

- Up to 4 coaxial connectors for Eilersen digital load cells
- Power supply 24Vdc, 1A
- 2 digital inputs

Outputs

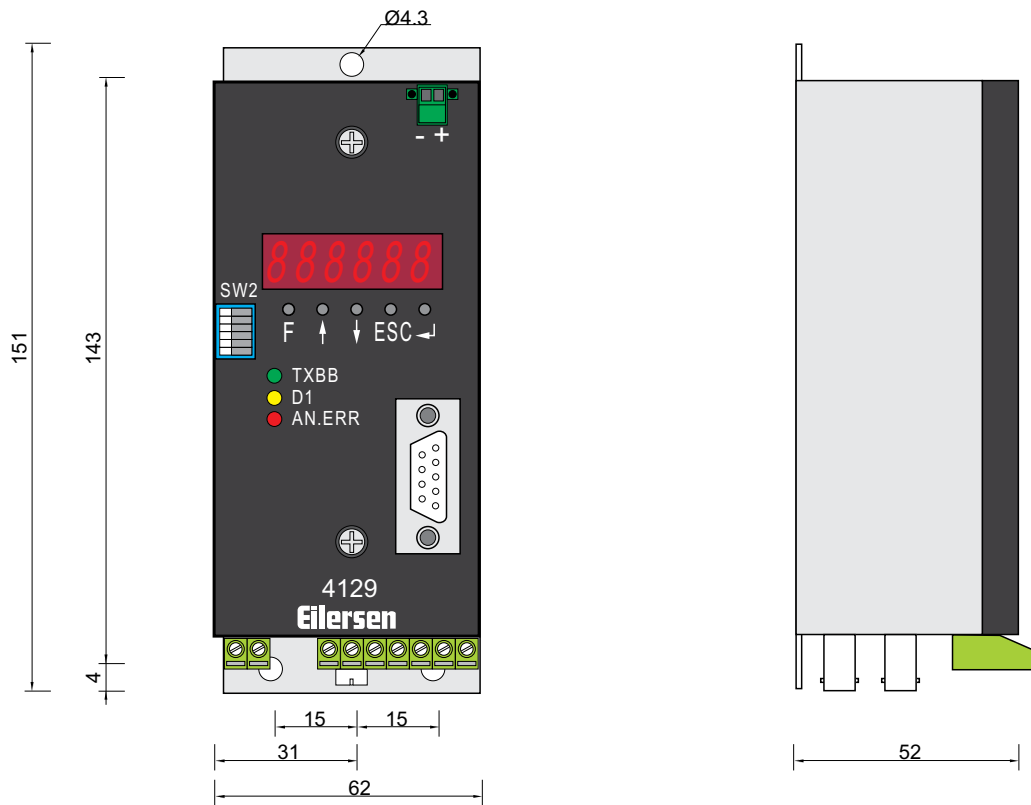
- Analog 4-20mA or 0-10Vdc output
- 2 digital outputs
- RS485 serial output

Order information

No of load cells	Type
1	4129
2	4229
3	4329
4	4429

Analog Weighing Module - Type 4X29

Dimensions (mm)



Parameter	Unit	Data
Application		4000 generation load cells and modules
Power Supply	Vdc	24Vdc +/- 10%, 1A
Operating Temperature Range	°C	-20 to +50
Weight	g	450
Housing		Anodized Aluminum
Mounting		Mounting base or DIN rail